

1. Contents of the Package

The types of parts included in the package varies depending on the Model (Model and Suffix Code). Check that the following parts are included. If the contents are not correct or missing or if there is physical damage, contact the dealer from which you purchased them.

Model 707861-E6 (for single WE400 measuring station, complies with ANSI/EIA Standard)

Parts Name	Quantity	Notes	Parts Name	Quantity	Notes
Rack frame	1		Side bracket	1	
M5 Binding-head screws	6	Length: 12 mm	M4 Binding-head screws	3	Length: 8 mm
M3 Binding-head screws	2	Length: 8 mm	Sealing labels	2	

Model 707861-J6 (for single WE400 measuring station, complies with JIS Standard)

Parts Name	Quantity	Notes	Parts Name	Quantity	Notes
Rack frame	1		Side bracket	1	
Upper bracket	1		M5 Binding-head screws	6	Length:12 mm
M4 Binding-head screws	3	Length: 8 mm	M3 Binding-head screws	5	Length: 8 mm
Sealing labels	2				

2. Procedure for Removing the Parts from the Station for Rack Mounting

Removing the handle

Note

You may not be able to reattach the handle once you remove it.

1. Insert a Philip's head screw driver in the direction of arrow A, and remove the cover by lifting the handle cover (a) (two locations). If it does not come off easily, use another tool to widen the right and left sides of the handle cover while lifting it up.
2. Remove the two attachment screws (b) that are holding down the handle.

Removing the bottom feet and the station cover attachment screws

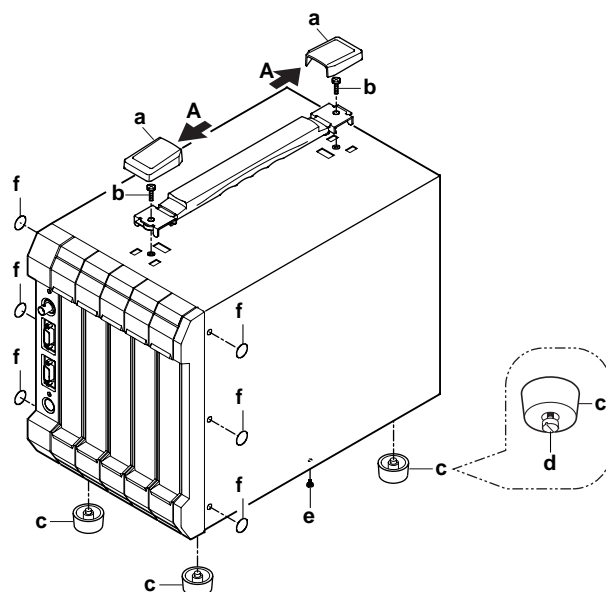
Note

You will not be able to reattach the screws (d) of the bottom feet (c) once you remove them. The bottom feet (Model: B9951CP, four pieces needed for the station) are available as optional accessories (sold separately). For information and ordering, contact the dealer from which you purchased the measuring station.

1. Loosen the screws (d) embedded in the feet (c) until the feet come off (four locations).
2. Remove the attachment screws (e) on the bottom side that are holding the station cover (two locations).

Removing the sealing labels

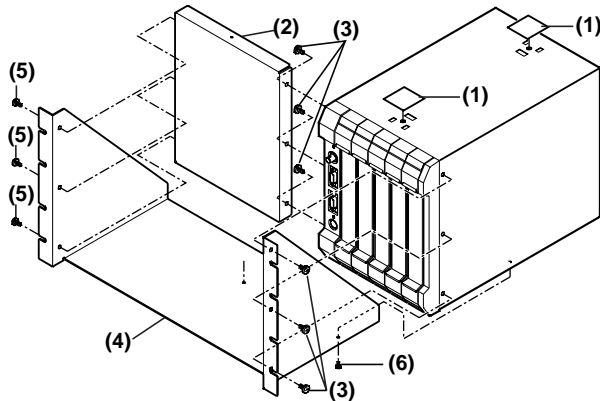
Peel off the sealing labels (f) (six locations).



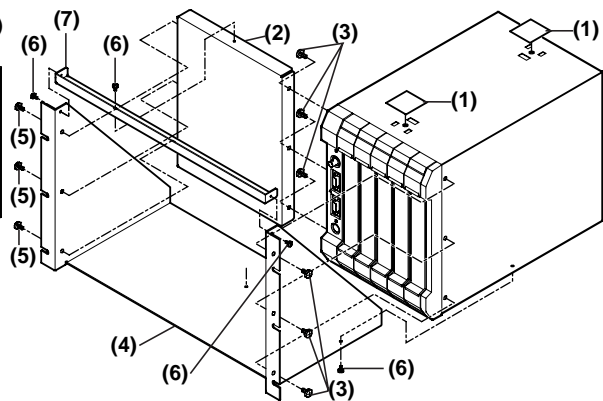
3. Procedure for attaching the rack mount fitting

1. Stick sealing labels (1) on the holes where the handle was attached (two locations).
2. Attach the side bracket (2) to the left side of the station using M5 binding-head screws (3) (three locations).
Tightening torque reference: 2.8 to 2.9 N·m
3. Attach the right side of the station to the right side of the rack frame (4) using M5 binding-head screws (3) (three locations).
4. Attach the side bracket (2) that is connected to the station to the left side of the rack frame (4) using M4 binding-head screws (5) (three locations).
Tightening torque reference: 1.4 to 1.5 N·m
5. Attach the bottom section of the station to the bottom side of the rack frame (4) using M3 binding-head screws (6) (two locations).
Tightening torque reference: 0.6 to 0.7 N·m
6. For Model 707861-J6 (for single WE400 measuring station, JIS Standard) only, attach the upper bracket (7) to the rack frame (4) using M3 binding-head screws (6) (two locations). Also, attach the upper bracket (7) to the side bracket (2) using M3 binding-head screws (6) (one location).
Tightening torque reference: 0.6 to 0.7 N·m

Model 707861-E6 (for single WE400 measuring station, ANSI/EIA Standard)



Model 707861-J6 (for single WE400 measuring station, JIS Standard)



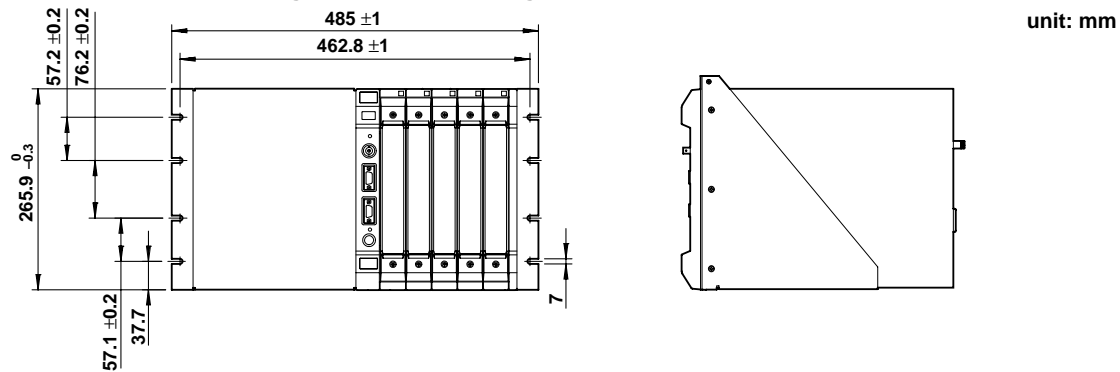
4. Procedure for mounting the station onto the rack

Mount the station according to the dimensions indicated below.

Note

1. Please support the station from the bottom, making sure not to cover the ventilation holes in the process.
2. Allow 100 mm of space around the station for ventilation purposes.

Model 707861-E6 (for single WE400 measuring station, ANSI/EIA Standard)



Model 707861-J6 (for single WE400 measuring station, JIS Standard)

